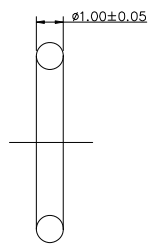
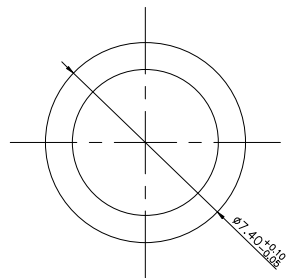
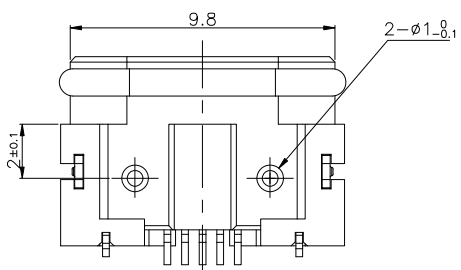
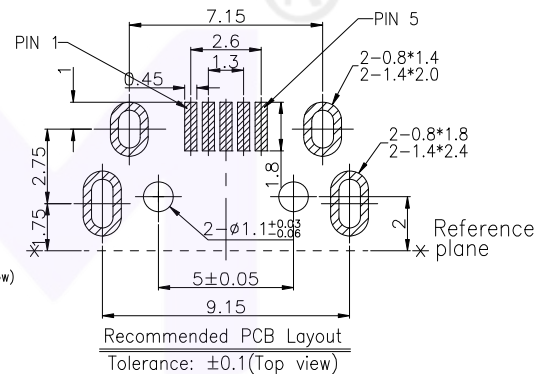
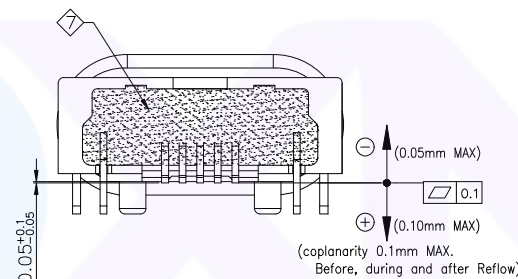
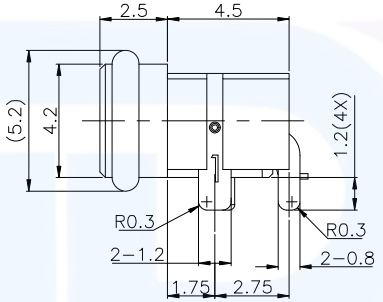
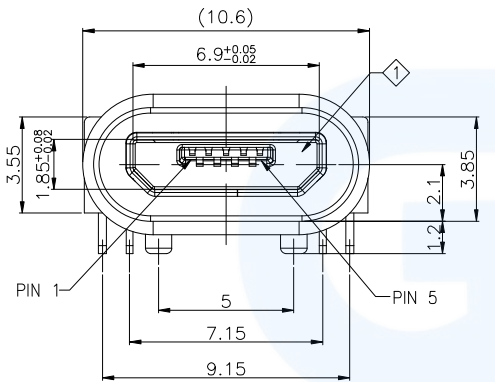
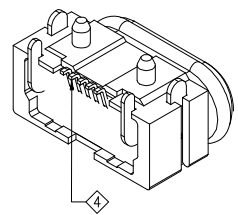
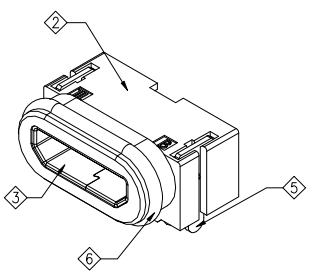
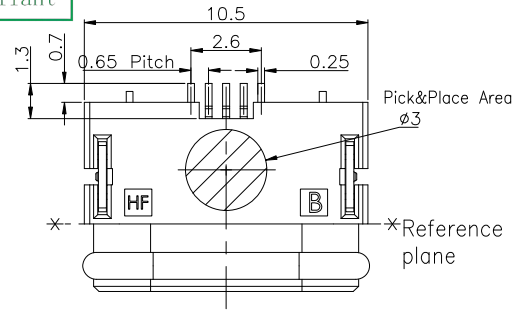


RoHS
Compliant



SPECIFICATIONS:

- ELECTRICAL CHARACTERISTICS:
 - RATING: 1.8A (PIN1/5), 0.5A (PIN2/3/4)
 - CONTACT RESISTANCE: 30m MAX.(INITIAL)
 - DIELECTRIC WITHSTANDING VOLTAGE: 300V AC FOR ONE MINUTE.
 - INSULATION RESISTANCE: 100M MIN. MEASURED BY 500 VDC
- MECHANICAL CHARACTERISTICS:
 - INSERTION FORCE : 3.6 KGf (MAX)
 - WITHDRAWAL FORCE : 0.8 KGf(Reference)
- DURABILITY: 10,000 CYCLES .
- WATER PROOFNESS: THIS PRODUCT IS BASED ON IPX7(1m,30min)
- PLUG INTERFACE DIMENSIONS COMFORM TO USB2.0 SPEC.
- OVAL RING
 - The amount of low molecular siloxanes(D3~D10)is less than 200ppm
 - Hardness of silicone rubber: 70°
 - Horizontal flash 0.1max;Longitudinal flash 0.10max
- BODY WITH O-RING'S SEAL AREA BURRS IS 0.05mm Max.
- FOR REFLOW SOLDERING LEAD-FREE PROCESS.
- PACKAGING: TAPE & REEL.



| | | | | | |
|------|-----------|-----------|-----|------------------------------|---|
| ◇ | BOND | ---- | 1 | ---- | ---- |
| ◇ | Oval ring | ---- | 1 | ---- | ---- |
| ◇ | TERMINAL | ---- | 2 | Copper Alloy T=0.3 | Under plating: Ni plating All area: Sn plating |
| ◇ | CONTACT | No.1-No.5 | 5 | Copper Alloy T=0.20 | Under plating: Ni plating Contact area: Gold flash plating Soldering area: Sn plating |
| ◇ | SHELL | ---- | 1 | Stainless Steel T=0.25 | 1st: Cu, 2nd: Ni PLATED |
| ◇ | COVER | ---- | 1 | PA9T(BLACK) | UL-94V-0 |
| ◇ | HOUSING | ---- | 1 | LCP(BLACK) | UL-94V-0 |
| ITEM | PART NAME | TERMINAL | QTY | MATERIAL | REMARK |

广东小迈实业有限公司

Website: <https://www.xmconn.com> TEL: 18938295888



| | |
|-----------|--------------------------------|
| PART NAME | Mirco USB Waterproof Connector |
| PART NO. | DM28006-05SBAP-A |

TOLERANCE UNLESS OTHERWISE SPECIFIED:
 X ±0.2
 X.X ±0.15
 X.XX ±0.10
 X.XXX ±0.050

| | | | | | | |
|-----------|------|-------|------------|-------|-------|----------|
| DRAWING: | Li | DATE: | 2023.08.18 | SCALE | SHEET | REV:A0 |
| CHECK: | Chen | DATE: | 2023.08.18 | 1:1 | 1/1 | SIZE: A4 |
| APPROVAL: | Wen | DATE: | 2023.08.18 | | | |