

RoHS  
Compliant

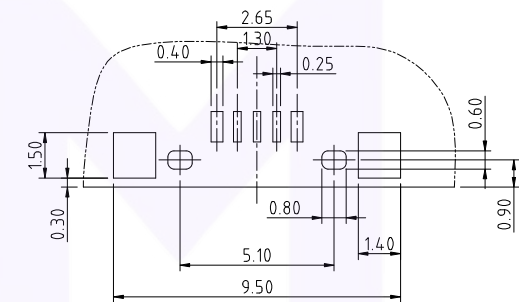
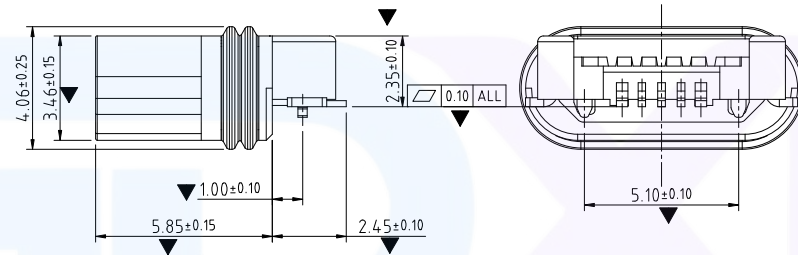
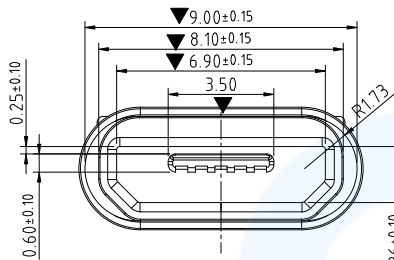
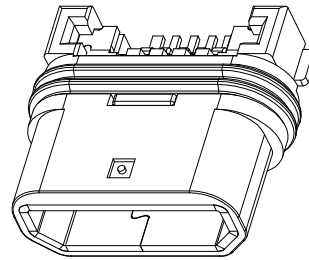
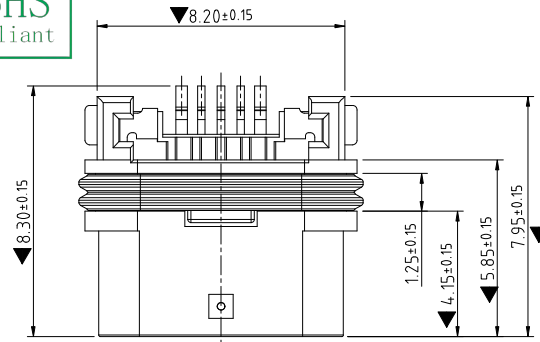


Notes:

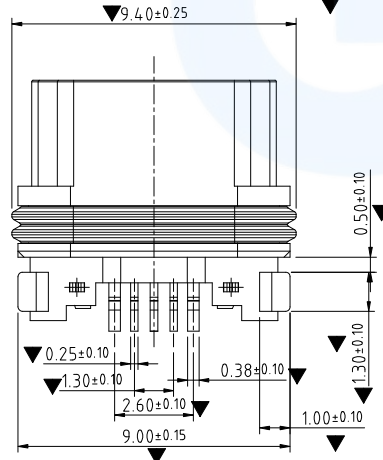
1. Dimension shall be interpreted per ASME Y14.5M1994.
2. Dimension marked  $\nabla$  &  $\blacktriangledown$  should be checked by Q.C. and process, engineers and  $\nabla$  should also check the CPK data.

Specification:

1. Current Rating: 1.0 AMP
2. Voltage Rating: 30V AC,DC
3. Dielectric Strength: 500V AC RMS for 1 minute.
4. Contact Resistance: 30 mΩ Max.
5. Insulator Resistance: 500M Ω Min. AT 250V DC.
6. Mating/Unmating cycles: 2000cycles
7. Temperature: -20°C to +60°C



P.C.B LAYOUT



3	Shell	1	C2680R-H Au/Ni Plating T=0.30mm	
3	Contact	5	Phosphor bronze C5210R-EH Au/Ni Plating T=0.20mm	
2	Housing-2	1	PA9T&LCP (G.F30%)	
1	Housing-1	1	PA9T&LCP (G.F30%)	
ITEM	PART NAME	Q'TY	FINISH	NOTE

广东小迈实业有限公司

Website: <https://www.xmconn.com> TEL: 18938295888



PART NAME	Micro USB 5Pin SMT (B) Type (沉板平口防水型 No spring)
PART NO.	DM28005-05FBAP-A

TOLERANCE UNLESS OTHERWISE SPECIFIED:	
X	±0.2
X.X	±0.15
X.XX	±0.10
X.XXX	±0.050

DRAWING:	Li	DATE:	2023.08.18	SCALE	SHEET	REV:A0
CHECK:	Chen	DATE:	2023.08.18	1:1	1/1	SIZE: A4
APPROVAL:	Wen	DATE:	2023.08.18			