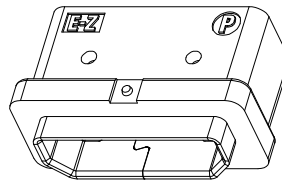
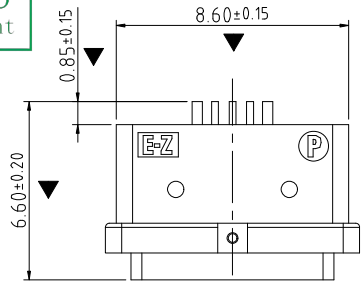


RoHS
Compliant

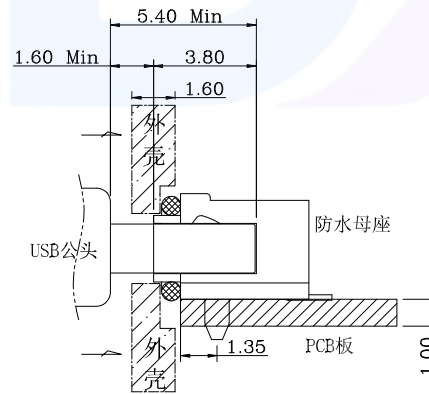
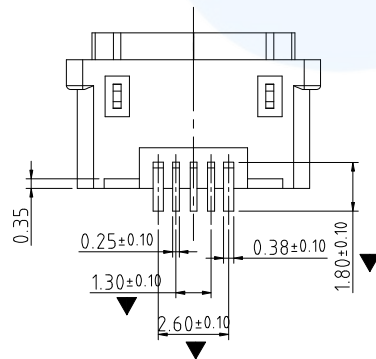
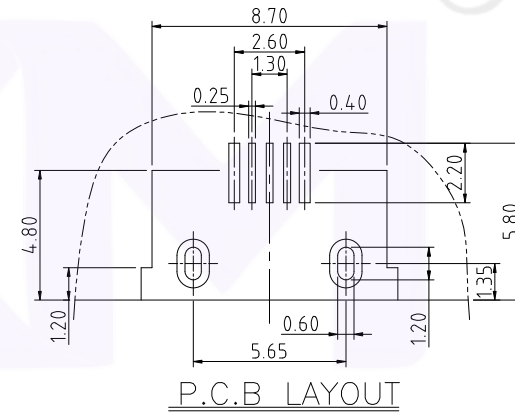
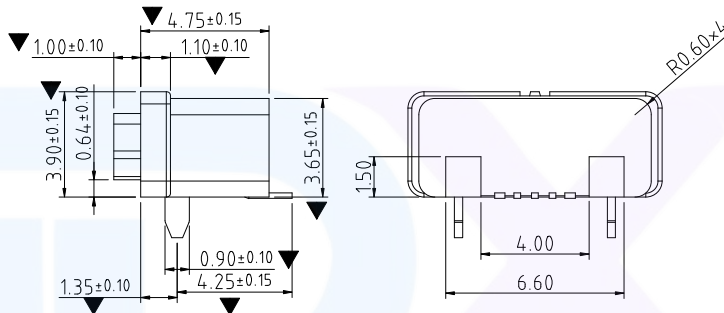
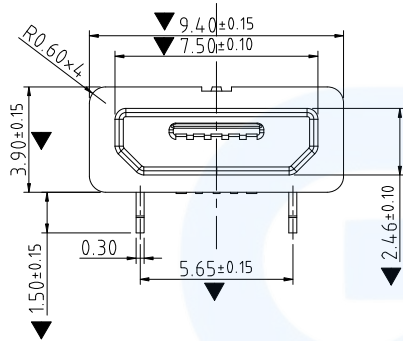


Notes:

1. Dimension shall be interpreted per ASME Y14.5M1994.
2. Dimension marked ∇ & \blacktriangledown should be checked by Q.C. and process, engineers and ∇ should also check the CPK data.

Specification:

1. Current Rating: 2.0 AMP
2. Voltage Rating: 30V AC,DC
3. Dielectric Strength: 500V AC RMS for 1 minute.
4. Contact Resistance: 30 mΩ Max.
5. Insulator Resistance: 500M Ω Min. AT 250V DC.
6. Mating/Unmating cycles: 2000cycles
7. Temperature: -20°C to +60°C



3	Shell	1	SUS304R-1/2H Ni Plating T=0.30mm	
2	Contact	5	Phosphor bronze_C5191R-EH Au/Ni Plating T=0.20mm	
1	Housing	1	PA9T&LCP (G.F30%)	
ITEM	PART NAME	Q' TY	FINISH	NOTE

广东小迈实业有限公司

Website:

<https://www.xmconn.com>

TEL:

18938295888



PART NAME

Micro USB 5Pin SMT (B) Type
(鼠标充电接口)

PART NO.

DM28004-05FBAP-A

TOLERANCE UNLESS OTHERWISE SPECIFIED:
X ±0.2
X.X ±0.15
X.XX ±0.10
X.XXX ±0.050

DRAWING:

Li

DATE:

2023.08.18

SCALE

SHEET

REV:A0

CHECK:

Chen

DATE:

2023.08.18

1:1

1/1

SIZE: A4

APPROVAL:

Wen

DATE:

2023.08.18



F

E

D

C

B

A