

RoHS
Compliant

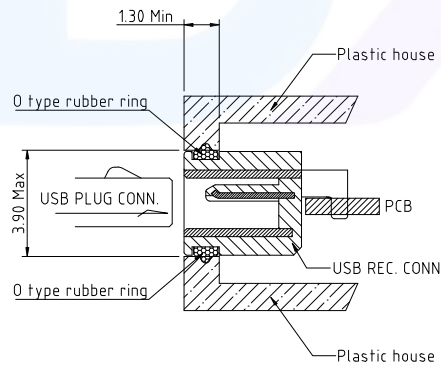
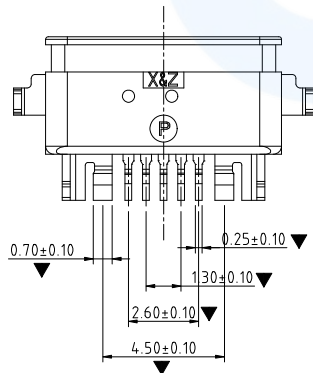
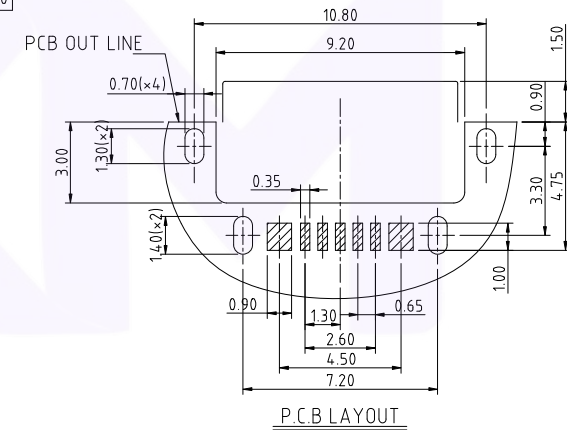
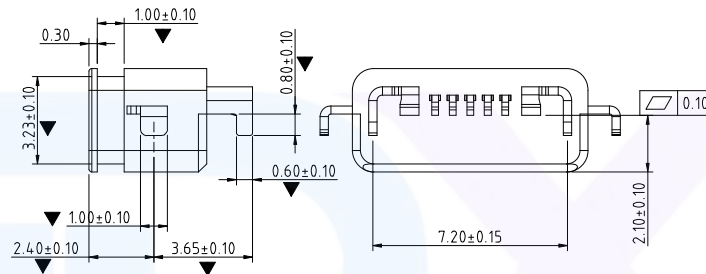
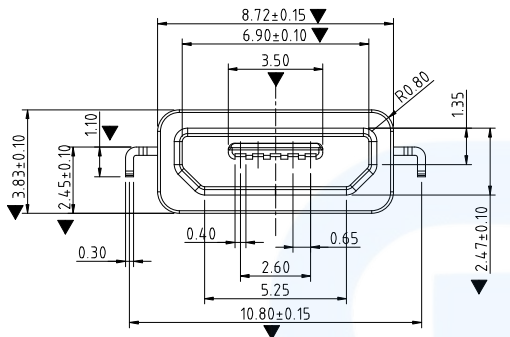
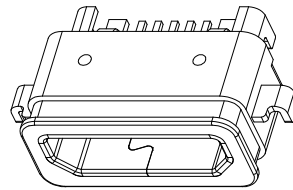
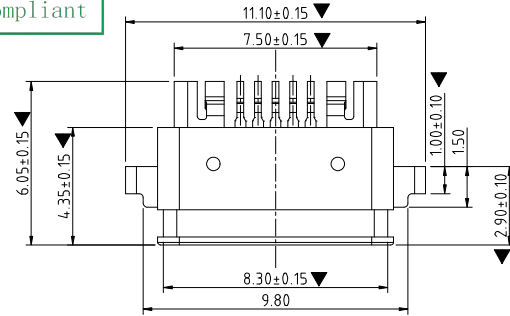


Notes:

1. Dimension shall be interpreted per ASME Y14.5M1994.
2. Dimension marked ∇ & \blacktriangledown should be checked by Q.C. and process, engineers and ∇ should also check the CPK data.

Specification:

1. Current Rating: 1.0 AMP
2. Voltage Rating: 30V AC,DC
3. Dielectric Strength: 500V AC RMS for 1 minute.
4. Contact Resistance: 30 mΩ Max.
5. Insulator Resistance: 500M Ω Min. AT 250V DC.
6. Mating/Unmating cycles: 2000cycles
7. Temperature: -20°C to +60°C



3	Shell	1	SUS304R-1/2H Ti/Ni Plating T=0.30mm	
2	Contact	5	Phosphor bronze C5210R-EH Au/Ni Plating T=0.20mm	
1	Housing	1	PA9T&LCP (GF30%) Black	
ITEM	PART NAME	Q'TY	FINISH	NOTE

广东小迈实业有限公司

Website:

<https://www.xmconn.com>

TEL:

18938295888



PART NAME Micro USB 5Pin SMT Type (B Type 沉板平口防水型 IP66)

PART NO. DM28003-05FBAP-A

TOLERANCE UNLESS OTHERWISE SPECIFIED:

X ±0.2
X.X ±0.15
X.XX ±0.10
X.XXX ±0.050

DRAWING:

Li

DATE:

2023.08.18

SCALE

SHEET

REV:A0

CHECK:

Chen

DATE:

2023.08.18

1:1

1/3

SIZE: A4

APPROVAL:

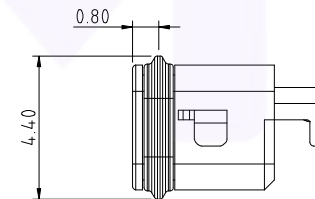
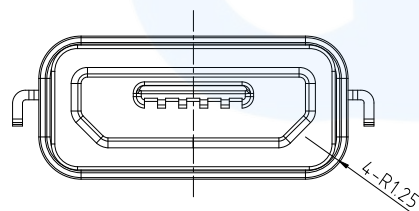
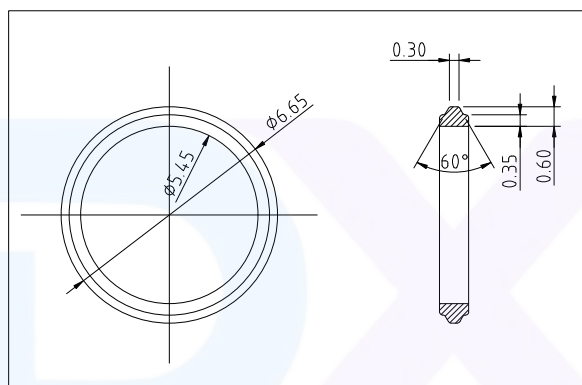
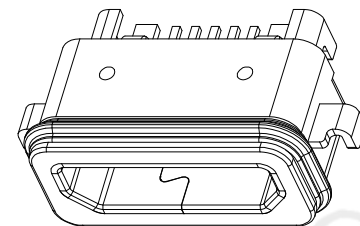
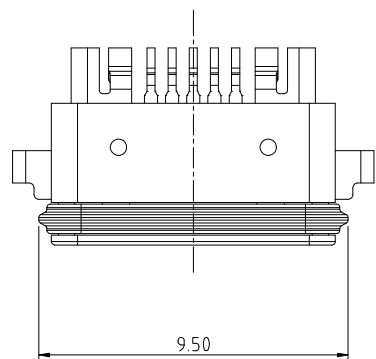
Wen

DATE:

2023.08.18



RoHS
Compliant



广东小迈实业有限公司

Website:

<https://www.xmconn.com>

TEL:

18938295888



PART NAME

Micro USB 5Pin SMT Type
(B Type 沉板平口防水型)

PART NO.

DM28003-05FBAP-A

TOLERANCE UNLESS
OTHERWISE SPECIFIED:

X ±0.2
X.X ±0.15
X.XX ±0.10
X.XXX ±0.050

DRAWING:

Li

DATE:

2023.08.18

CHECK:

Chen

DATE:

2023.08.18

APPROVAL:

Wen

DATE:

2023.08.18

SCALE

1:1

SHEET

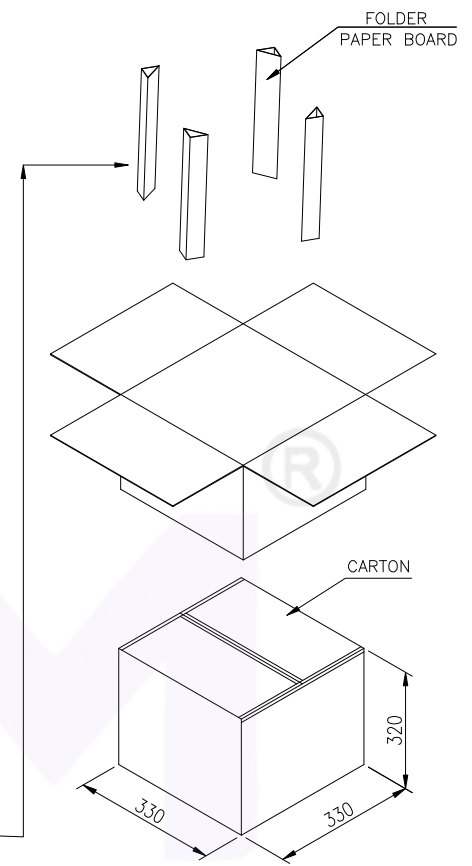
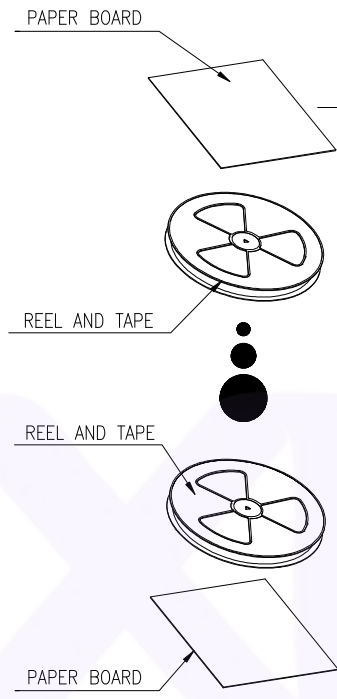
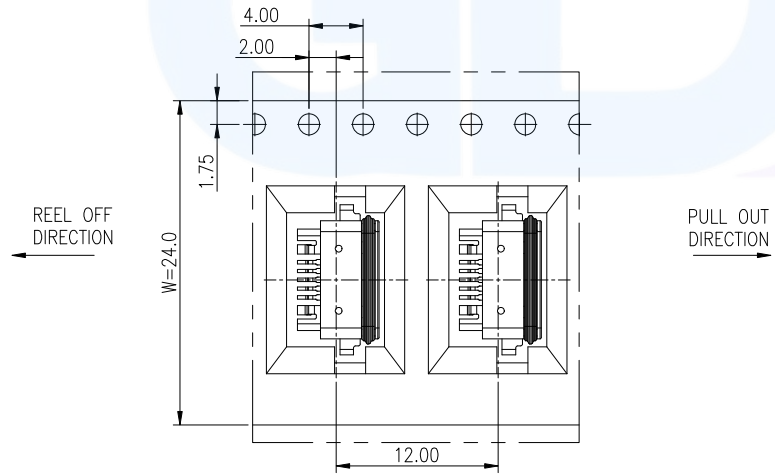
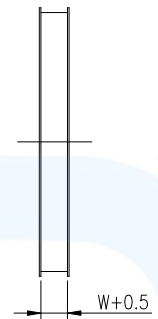
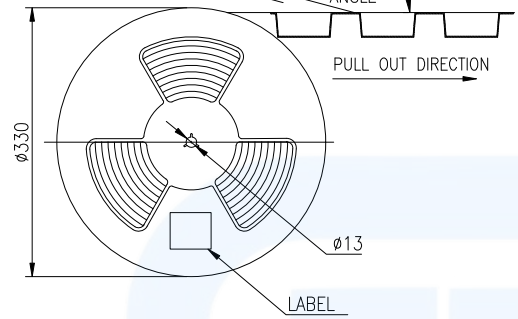
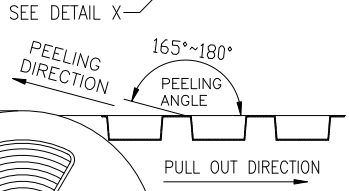
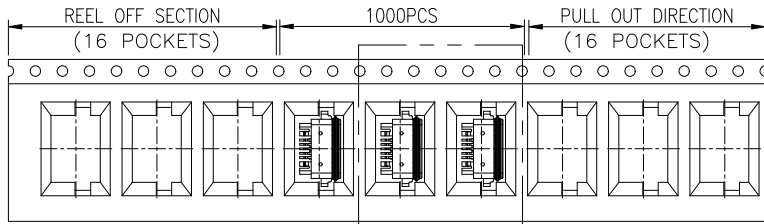
2/3

REV: A0

SIZE: A4



RoHS
Compliant



	REEL	CARTON
CONNECTOR (PCS)	1000	10000

广东小迈实业有限公司

Website: <https://www.xmconn.com> TEL: 18938295888



PART NAME	Micro USB 5Pin SMT Type (B Type 沉板平口防水型)
PART NO.	DM28003-05FBAP-A

TOLERANCE UNLESS OTHERWISE SPECIFIED:	
X	±0.2
X.X	±0.15
X.XX	±0.10
X.XXX	±0.050

DRAWING:	Li	DATE:	2023.08.18	SCALE	SHEET	REV:A0
CHECK:	Chen	DATE:	2023.08.18	1:1	3/3	SIZE: A4
APPROVAL:	Wen	DATE:	2023.08.18	☞		