

RoHS
Compliant

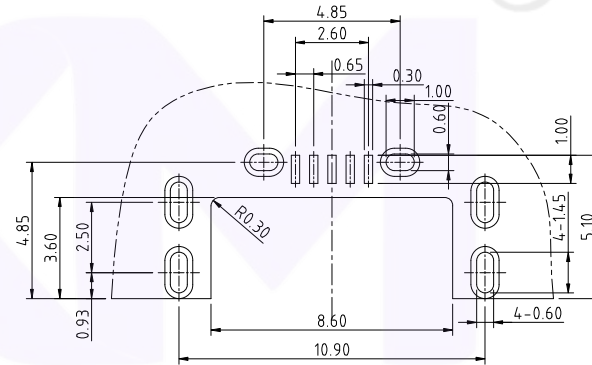
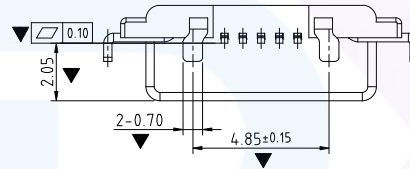
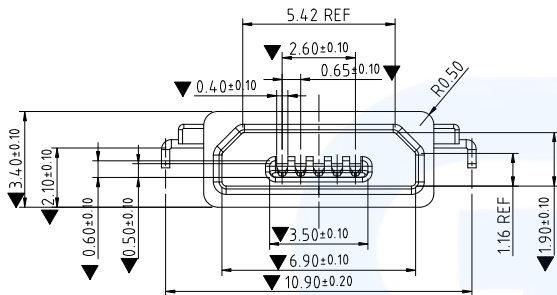
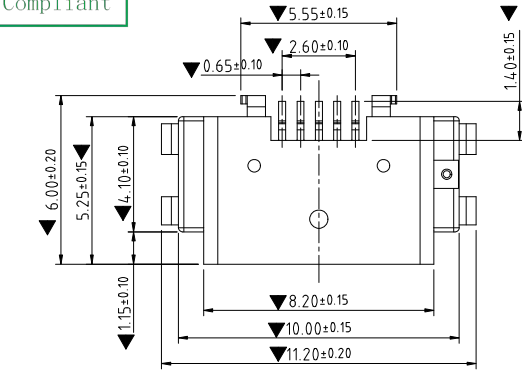
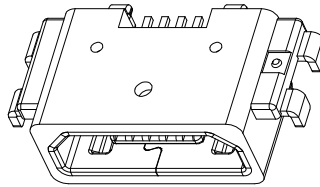


Notes:

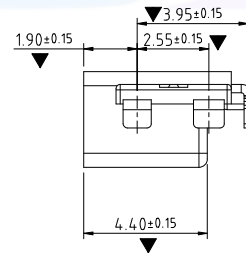
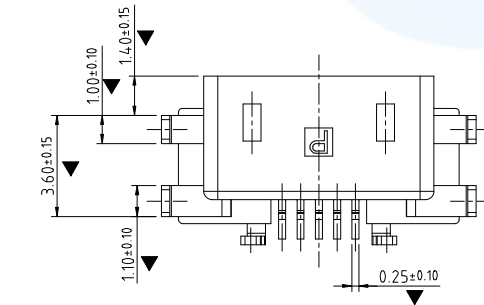
1. Dimension shall be interpreted per ASME Y14.5M1994.
2. Dimension marked ∇ & \blacktriangledown should be checked by Q.C. and process, engineers and ∇ should also check the CPK data.

Specification:

1. Current Rating: 1.0 AMP
2. Voltage Rating: 30V AC,DC
3. Dielectric Strength: 500V AC RMS for 1 minute.
4. Contact Resistance: 30 mΩ Max.
5. Insulator Resistance: 500M Ω Min. AT 250V DC.
6. Mating/Unmating cycles: 2000cycles
7. Temperature: -20°C to +60°C



P.C.B LAYOUT



3	Shell	1	C2680R-H Au/Ni Plating T=0.30mm	
2	Contact	5	Phosphor bronze C5210R-EH Au/Ni Plating T=0.20mm	
1	Housing	1	PA9T&LCP (G.F30%)	
ITEM	PART NAME	Q'TY	FINISH	NOTE

广东小迈实业有限公司

Website:

<https://www.xmconn.com>

TEL:

18938295888



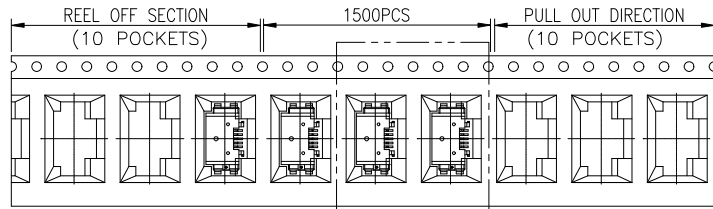
PART NAME Micro USB 5Pin SMT (B) Type (贴片USB母座)

PART NO. DM28002-05FBAP-A

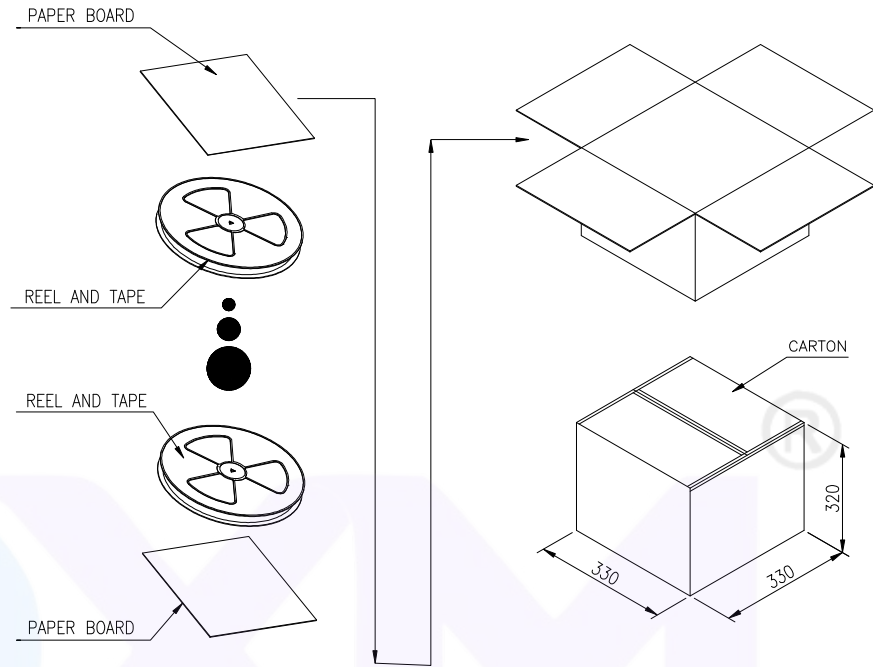
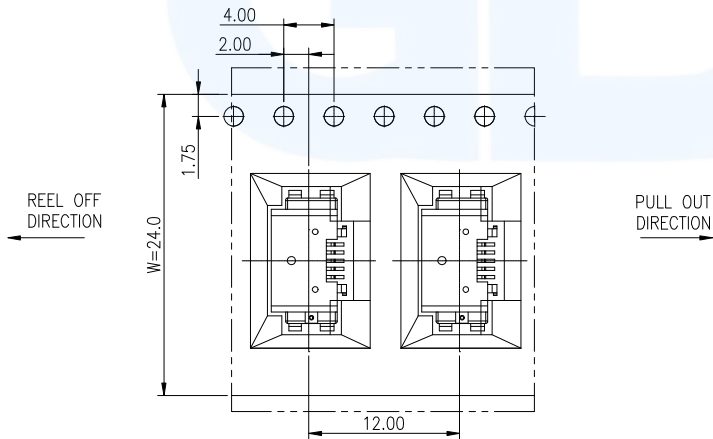
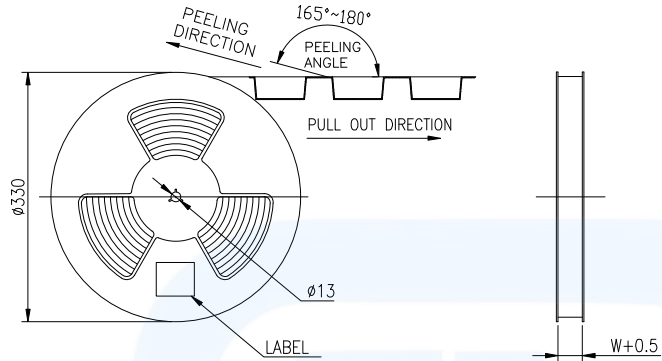
TOLERANCE UNLESS OTHERWISE SPECIFIED:
X ±0.2
X.X ±0.15
X.XX ±0.10
X.XXX ±0.050

DRAWING:	Li	DATE:	2023.08.18	SCALE	SHEET	REV: A0
CHECK:	Chen	DATE:	2023.08.18	1:1	1/2	SIZE: A4
APPROVAL:	Wen	DATE:	2023.08.18			

RoHS
Compliant



SEE DETAIL X



	REEL	CARTON
CONNECTOR (PCS)	1500	15000

广东小迈实业有限公司

Website:

<https://www.xmconn.com>

TEL:

18938295888



PART NAME

Micro USB 5Pin SMT Type
(B Type 沉板平口防水型)

PART NO.

DM28002-05FBAP-A

TOLERANCE UNLESS OTHERWISE SPECIFIED:

X ±0.2
X.X ±0.15
X.XX ±0.10
X.XXX ±0.050

DRAWING:

Li

DATE:

2023.08.18

CHECK:

Chen

DATE:

2023.08.18

APPROVAL:

Wen

DATE:

2023.08.18

SCALE

1:1

SHEET

2/2

REV: A0

SIZE: A4

