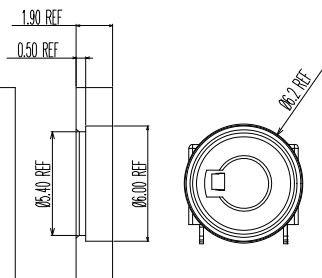
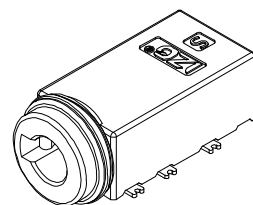
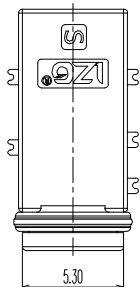


RoHS
Compliant



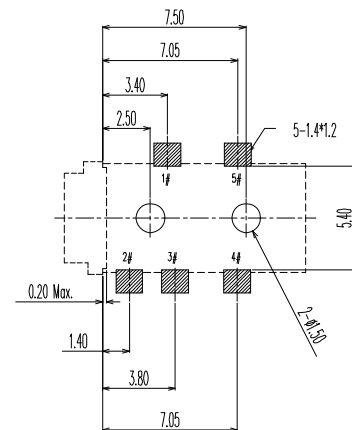
面板开孔参考尺寸

INSTALL WATERPROOF RING
(UNCOMPRESSED)



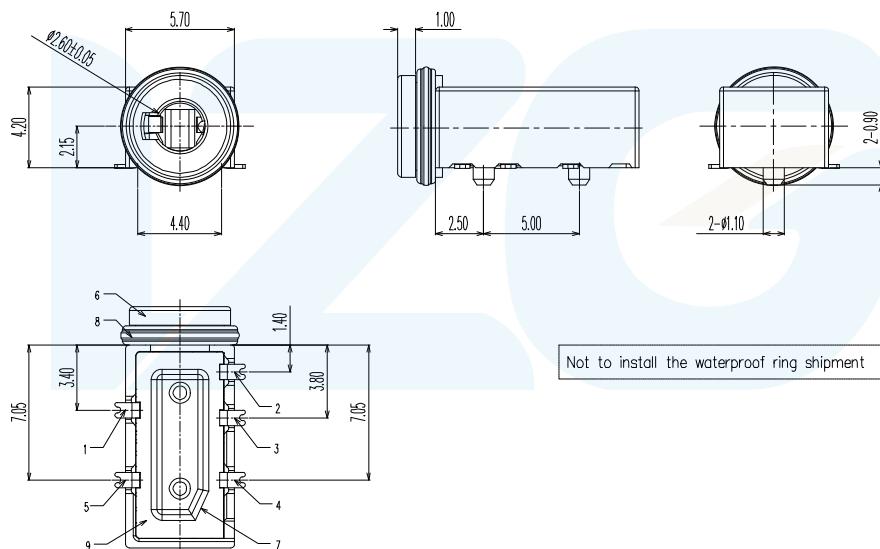
NOTES

1. CURRENT RATING: 1A.
2. CONTACT RESISTANCE: 100mΩ MAX.
3. INSULATION RESISTANCE: 100MΩ MIN.
4. DIELECTRIC WITHSTANDING: 500V AC MIN.
5. DURABILITY: 5000 CYCLES MIN.
6. CONNECTOR MATING FORCES: 3~30N.
7. CONNECTOR UNMATING FORCES: 3~30N.
8. OPERATING TEMPERATURE: -25°C TO +85°C.
9. WATERPROOF LEVEL: IP67



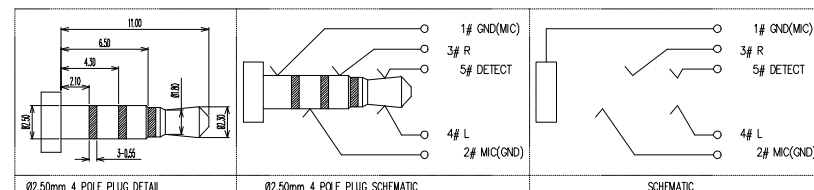
RECOMMEND PCB LAYOUT
TOLERANCE: ±0.05

Not to install the waterproof ring shipment



9	GLUE	1	EPDXY; BLACK
8	WATERPROOF RING	1	SILICONE; BLACK
7	COVER	1	HIGH TEMPERATURE; BLACK
6	HOUSING	1	HIGH TEMPERATURE; BLACK

5	TERMINAL 5#	1	STAINLESS STEEL; NICKEL UNDERPLATING OVERALL, GOLD FLASH PLATING ON THE SOLDER & CONTACT AREA
4	TERMINAL 4#	1	STAINLESS STEEL; NICKEL UNDERPLATING OVERALL, GOLD FLASH PLATING ON THE SOLDER & CONTACT AREA
3	TERMINAL 3#	1	PHOSPHOR BRONZE; NICKEL UNDERPLATING OVERALL, GOLD FLASH PLATING ON THE SOLDER & CONTACT AREA
2	TERMINAL 2#	1	PHOSPHOR BRONZE; NICKEL UNDERPLATING OVERALL, GOLD FLASH PLATING ON THE SOLDER & CONTACT AREA
1	TERMINAL 1#	1	STAINLESS STEEL; NICKEL UNDERPLATING OVERALL, GOLD FLASH PLATING ON THE SOLDER & CONTACT AREA
ITEM	NAME	QTY	DESCRIPTION



LZG® LZG INDUSTRIAL CO., LTD

DRAWING:	林桂財	DATE:	2023.12.18	SCALE:	1:1
CHECK:	李茂鑫	DATE:	2023.12.18	MATERIAL:	*
APPROVAL:	謝維生	DATE:	2023.12.18	DWG. NO.:	
DRAWING NO.:	ZB20001-05SBAP-A			SHEET:	1/1

PART NAME	Ø2.5 PHONE JACK CONNECTOR	TOLERANCE UNLESS	0.0±0.25	0.±2°	UNIT:	mm
PART NO.	ZB20001-05SBAP-A	OTHERWISE SPECIFIED:	0.00±0.15 0.000±0.05	0.0°±1° 0.00°±0.5°		