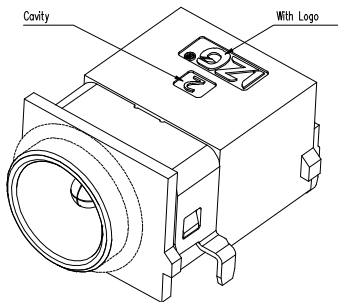
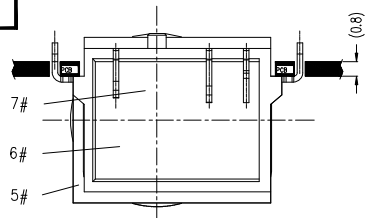
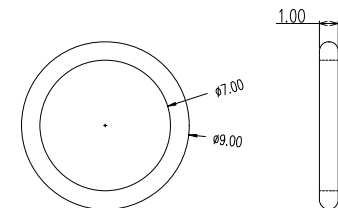
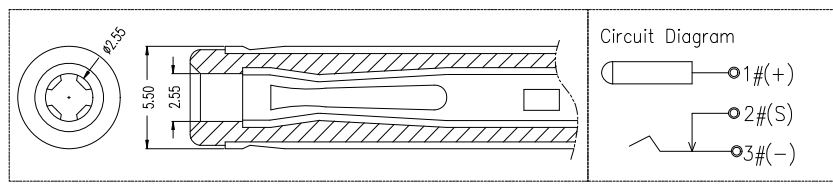
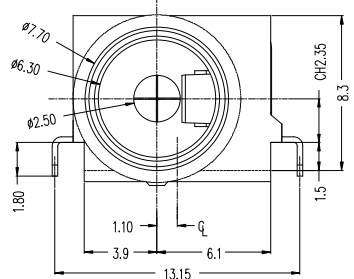
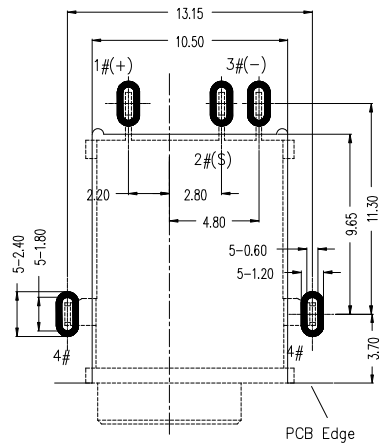
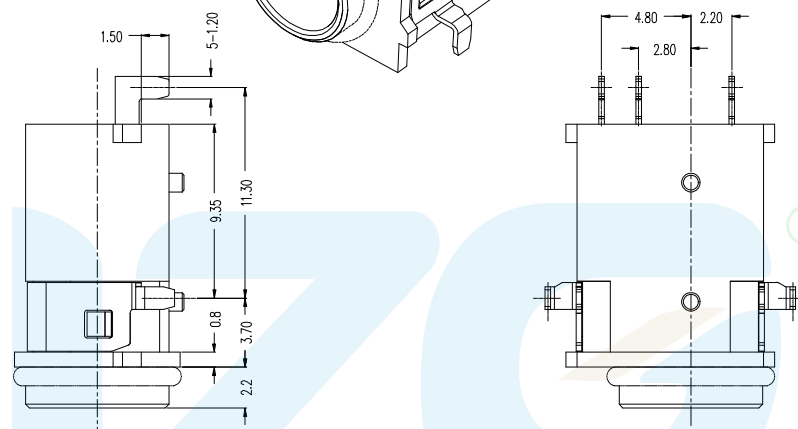
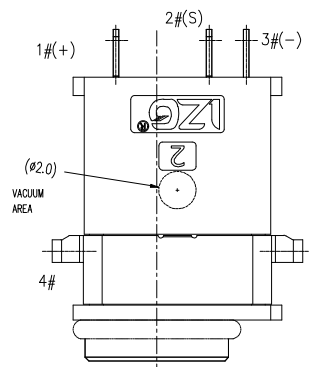


RoHS
Compliant

ZONE	E.C.N. NO.	DESCRIPTION	DRAWING	DATE
A		INITIAL	林生刚	2023.10.24



- Notes:
- 1.Current Rating: 24V&1.5A Max.
 - 2.Contact Resistance: 50m Ohms Max.(initial)
 3. Insulation Resistance: 100M Ohms Min./500V DC
 - 4.Dielectric Withstanding Voltage: 500V AC/1Minute
 - 5.Mating Force: 35N Max, Withdrawal Force: 3N Min.
 - 6.Durability: 5,000 Cycles
 - 7.Operating Temperature: -25°C to +85°C



8	WATERPROOF RING	1	SILICONE; WHITE
7	GLUE	1	EPOXY; BLACK
6	BACK COVER	1	HIGH TEMPERATURE; BLACK
5	HOLDING	1	HIGH TEMPERATURE; BLACK
4	TERMINAL 4#	1	STAINLESS STEEL; NICKEL PLATING
3	TERMINAL 3#	1	COPPER ALLOY; NICKEL UNDERPLATING OVERALL, AU PLATING ON SOLDER AREA
2	TERMINAL 2#	1	COPPER ALLOY; NICKEL UNDERPLATING OVERALL, AU PLATING ON THE WHOLE
1	CENTER PIN	1	COPPER ALLOY; NICKEL UNDERPLATING OVERALL, AU PLATING ON SOLDER AREA
ITEM	NAME	QTY	DESCRIPTION

Not to install the waterproof ring shipment

WHITE WATERPROOF RING

LZG LZG INDUSTRIAL CO. LTD

PART NAME	Ø2.5 DC WATERPROOF POWER JACK	TOLERANCE UNLESS	0.0±0.25	0.1±2°	UNIT:	mm	DRAWING:	林生刚	DATE:	2023.10.24	SCALE:	1:1
PART NO.	ZB30013-05FBAP-A	OTHERWISE SPECIFIED:	0.00±0.15	0.0°±1°			CHECK:	李宏霖	DATE:	2023.10.24	MATERIAL:	*
			0.00±0.10	0.00°±0.5°			APPROVAL:	杨建宝	DATE:	2023.10.24	DWG. NO.:	
							DRAWING NO.:	ZB30013-05FBAP-A			SHEET	1/1